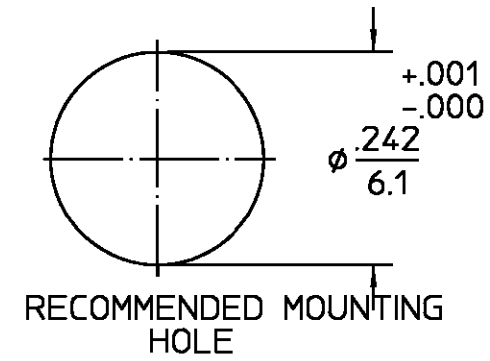


DESIGNED FOR USE WITH	.141 S/R
CABLE ENTRY DIAMETER	MINIMUM
HOUSING	.145
CONTACT	.0375

REVISIONS			
REV	DESCRIPTION	DATE	APPROVED
01 <sub>2</sub>	REVISED	KL 7-24-96	PCV 8/7/96
B	PER EC 0U20-0262-01	19DEC01	C. Huang



ELECTRICAL	MECHANICAL	ENVIRONMENTAL
Nominal Impedance (Ohms) <u>50</u>	Interface Dimensions <u>DESC SPEC 85072</u>	Temperature Rating <u>-65° to +125°C</u>
Frequency Range (GHz) DC to <u>18</u>	Mating Characteristics:	Vibration MIL-STD-202, Method 204, Condition D
Volt Rating (VRMS MAX) @ Sea Level <u>500</u>	Insertion (MAX Lbs) <u>3</u>	Shock MIL-STD-202, Method 213, Condition I
VSWR <u>1.02+0.005f(GHz)</u> DC to 18 GHz	Withdrawal (MIN Oz) <u>1</u>	Thermal Shock MIL-STD-202, Method 107, Condition B
Insertion Loss (dB MAX) <u>.03x√f(GHz)</u>	Force to Engage (In-Lbs MAX) <u>3</u> & Disengage (In-Lbs MAX) <u>15</u>	Moisture Resistance MIL-STD-202, Method 106
RF Leakage (dB MIN) (Interface Only, Fully Mated) <u>-(90-f(GHz))</u>	Center Contact Captivation Axial (Lbs) <u>6</u>	Corrosion - MIL-STD-202, Method 101, Condition B
Corona, 70,000 Ft (VRMS MIN) <u>375</u>	Cable Retention Axial Force (Lbs MIN) <u>30</u>	
Dielectric Withstanding Voltage (VRMS MIN) @ Sea Level <u>1500</u>	Torque (In-Oz MIN) <u>16</u>	
Contact Resistance (Milliohms MAX)	Weight (Grams)	
Center Contact <u>3.0</u>		
Outer Contact <u>2.0</u>		
Cable to Housing <u>0.5</u>		
RF High Potential @ Sea Level (VRMS MIN @ 5 MHz) <u>1000</u>		
LR.(Megohms MIN) <u>5000</u>		

COMPONENT	MATERIAL	FINISH
HOUSING MOUNTING NUT LOCKWASHER	STAINLESS STEEL PER ASTM-A484 AND ASTM- A582, TYPE 303	GOLD PLATE PER MIL-G-45204
DIELECTRIC	TFE FLUOROCARBON PER ASTM-D-1457	N/A
CENTER CONTACT	BERYLLIUM COPPER PER ASTM-B-196 OR ASTM-B-197, ALLOY C17300, CONDITION H	GOLD PLATE PER MIL-G-45204
O-RING	FLOUROSILICONE PER MIL-R- 25988, CLASS 1, TYPE 1	N/A

UNLESS OTHERWISE SPECIFIED DIMENSIONS ARE IN INCHES		DRAWN BY M YUEN		DATE 12-9-87	AMP AMP Incorporated 140 Fourth Avenue Waltham, MA 02451-7599
FRAC. ± 1/64	DEC. ±.005	ANGLES ± 1°	CHECKED BY BAR	DATE 12-10-87	
			APPD BY BAR	DATE 12-10-87	
These drawings and specifications are the property of M/A COM Interconnect Div. and shall not be reproduced or copied or used in whole or in part as the basis for the manufacture or sale of item(s) without written permission.		USE ASSY PROCEDURE		TITLE OSP BULKHEAD FEEDTHRU CABLE PLUG DIRECT SOLDER ATTACHMENT	
NO. A.P. <u>45-164</u> <u>408-08291</u>		SIZE B	CODE IDENT NO. 26805	<u>4503-5022-00</u>	REV 01 <sub>2</sub>
		SCALE 6:1			SHEET 1 OF 1

.XXX = in  
XX.X = mm (REF)